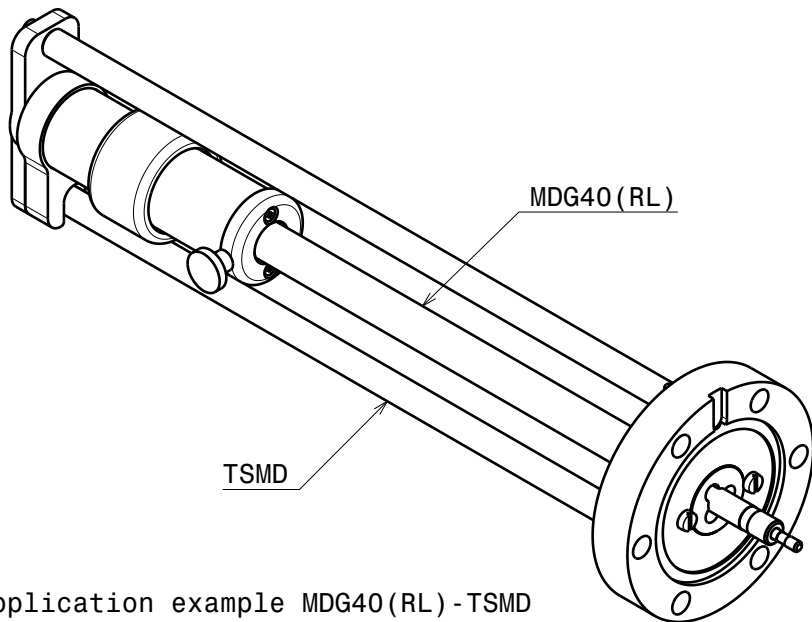
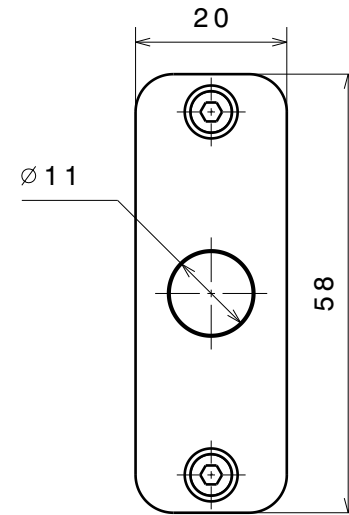
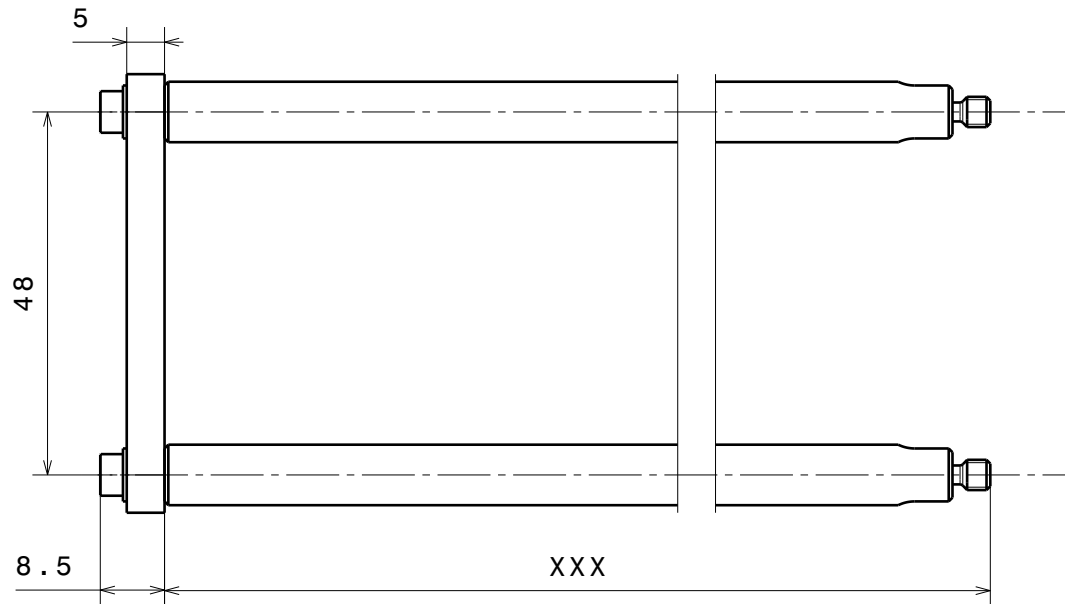


**Introduction**

Tube Support for M-MD40 and M-MD16 (with M-ADCF16TS) - Two parallel 8mm diameter shafts protect the tube unit against accidental bending. As an alternative, we offer single sided tube support for M-MD16 and MD40 - One 8mm diameter shaft protects the tube unit from accidental bending. Users will require the M-ADCF16TS to enable mounting either an M-TSMD or M-TSMDH tube support to M-MD16 feedthroughs.



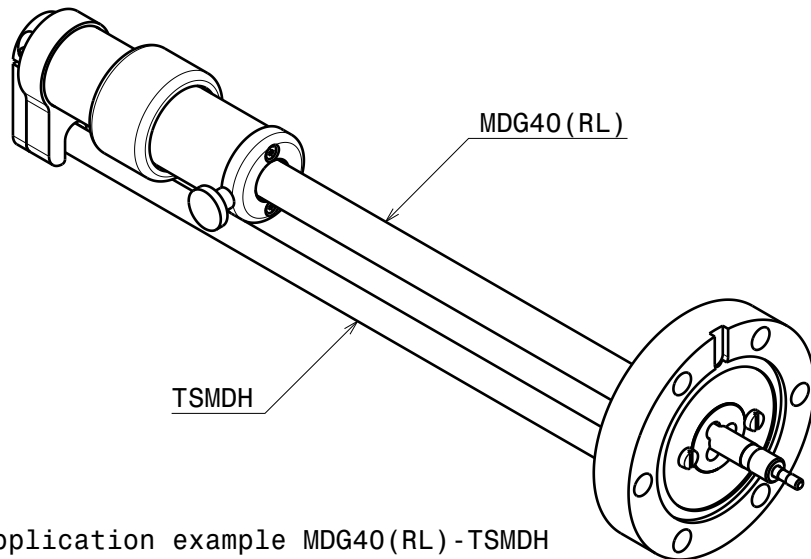
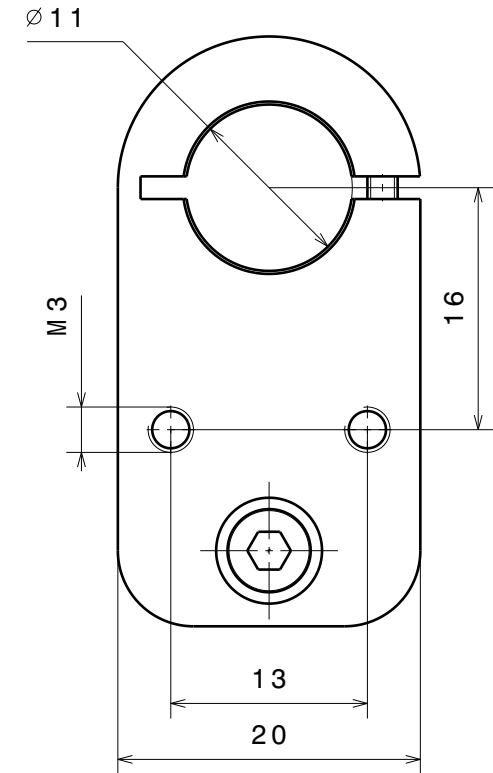
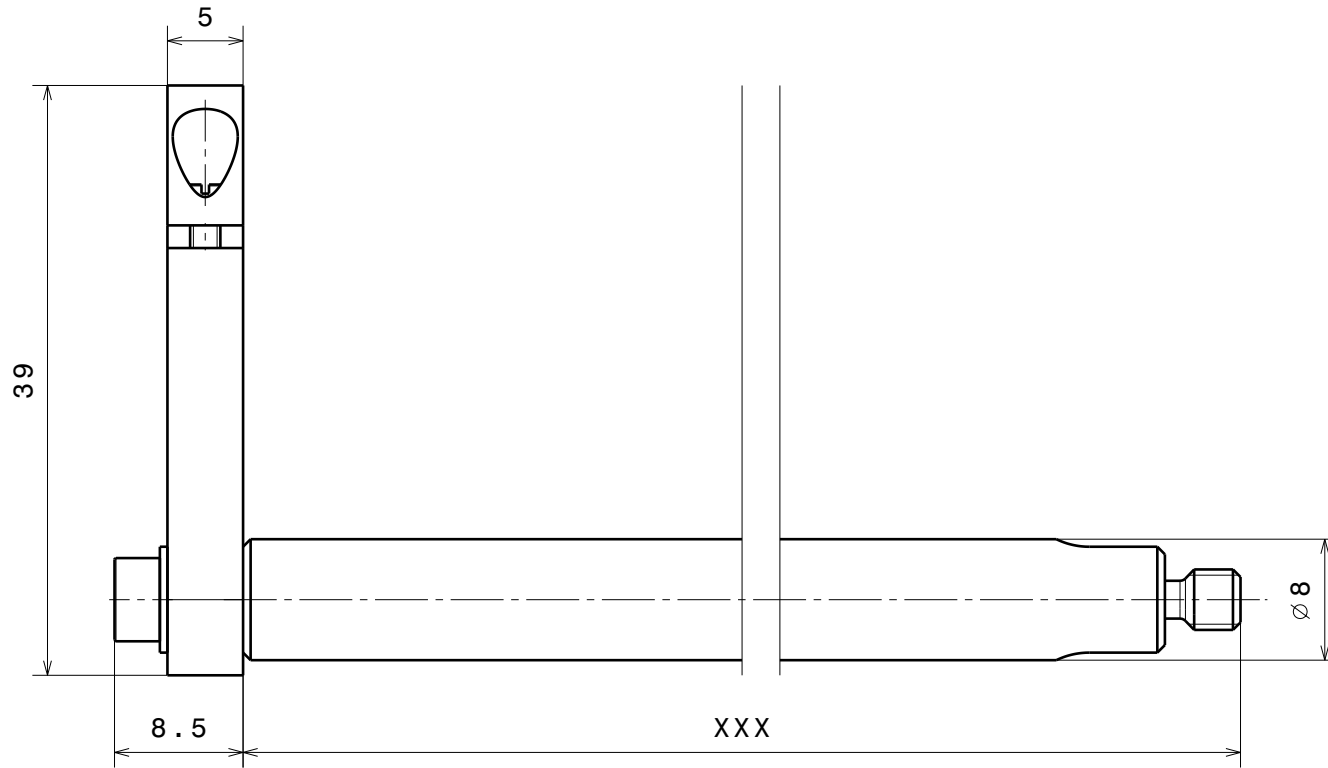
Description	Part Code
Tube support for M-MD16/40-XXX (double sided) (M-ADCF16TS required for DN16CF version)	M-TSMD-X
Tube support for M-MD16/40-XXX (single sided) (M-ADCF16TS required for DN16CF version)	M-TSMDH-X
Support tube adapter for DN16CF flanges	M-ADCF16TS



application example MDG40(RL) - TSMD

$\sqrt{\text{Ra 1.6}}$  (✓)  $\swarrow$   $\begin{matrix} +0.2 \\ +0.1 \end{matrix}$   $\searrow$   $\begin{matrix} -0.1 \\ -0.2 \end{matrix}$   
 general tolerances ISO 2768-K

Material: ....	nominal over	1	6	30	100	300	1000
Tube Support for MD40	dimension up to	6	30	100	300	1000	2000
	tolerance ±	0.05	0.1	0.3	0.5	0.8	1.2
TS	Scale	Drawn	von Gunten				
		Date	03.12.2010				
<b>Ferrovac GmbH</b> CH-8050 Zurich	1:1	Revised	.....				
			<b>TSMD</b> sheet 1/1				
<small>THE INFORMATION CONTAINED IN THIS DRAWING IS THE SOLE PROPERTY OF FERROVAC GMBH. ANY REPRODUCTION IN PART OR AS WHOLE WITHOUT OUR PERMISSION IS PROHIBITED.</small>							



application example MDG40(RL) - TSMDH

$\sqrt{\text{Ra 1.6}}$  (✓)  $\swarrow$   $\begin{matrix} +0.2 \\ +0.1 \end{matrix}$   $\searrow$   $\begin{matrix} -0.1 \\ -0.2 \end{matrix}$   
 general tolerances ISO 2768-K

Material: ....	nominal over	1	6	30	100	300	1000
Tube Support for MD40 single sided TS	dimension up to	6	30	100	300	1000	2000
	tolerance $\pm$	0.05	0.1	0.3	0.5	0.8	1.2
	Scale	Drawn	von Gunten				
		Date	03.12.2010				
		Revised	.....				
<b>Ferrovac GmbH</b> CH-8050 Zurich	2:1	<b>TSMDH</b> sheet 1/1					
THE INFORMATION CONTAINED IN THIS DRAWING IS THE SOLE PROPERTY OF FERROVAC GMBH. ANY REPRODUCTION IN PART OR AS WHOLE WITHOUT OUR PERMISSION IS PROHIBITED.							