

Introduction

Depending on the application of a wobblestick manipulator M-WM40, the original thread at the end of the shaft may require changing using one of the below stainless steel adapters.

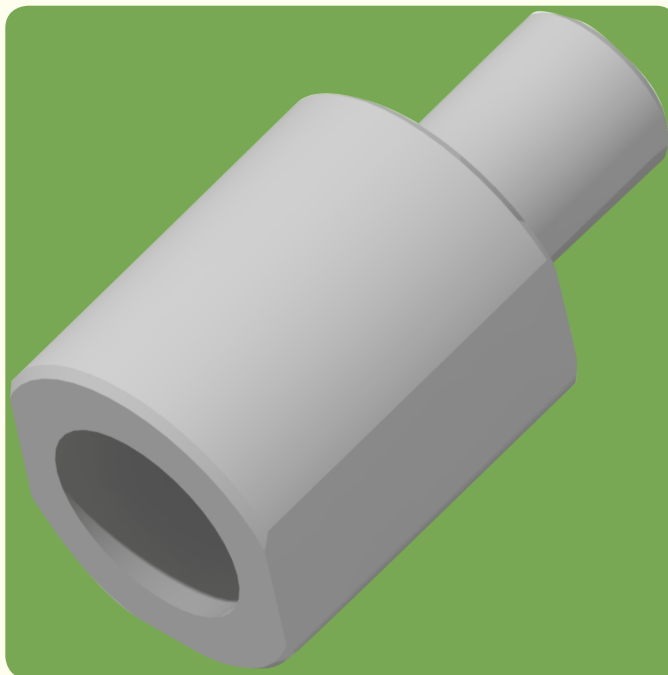
The M3 internal thread at the end of the 5mm OD shaft can be changed to an M4 internal thread.
The M4 internal thread at the end of the 7mm OD shaft can be changed to an M3 internal thread.
The M4 internal thread at the end of the 7mm OD shaft can be changed to an M6 internal thread.

For further information or different kinds of such adapters, please contact us.

Note: Wobblestick manipulators with shaft OD=5mm are older versions.

Where the application of a M-WM40 wobblestick manipulator requires it's tip and/or any attachments to be electrically insulated, a PEEK adapter is the suitable item and can be mounted to the standard stainless steel shaft of the wobblestick.

For further information or different kinds/ dimensions of such adapters, please contact us

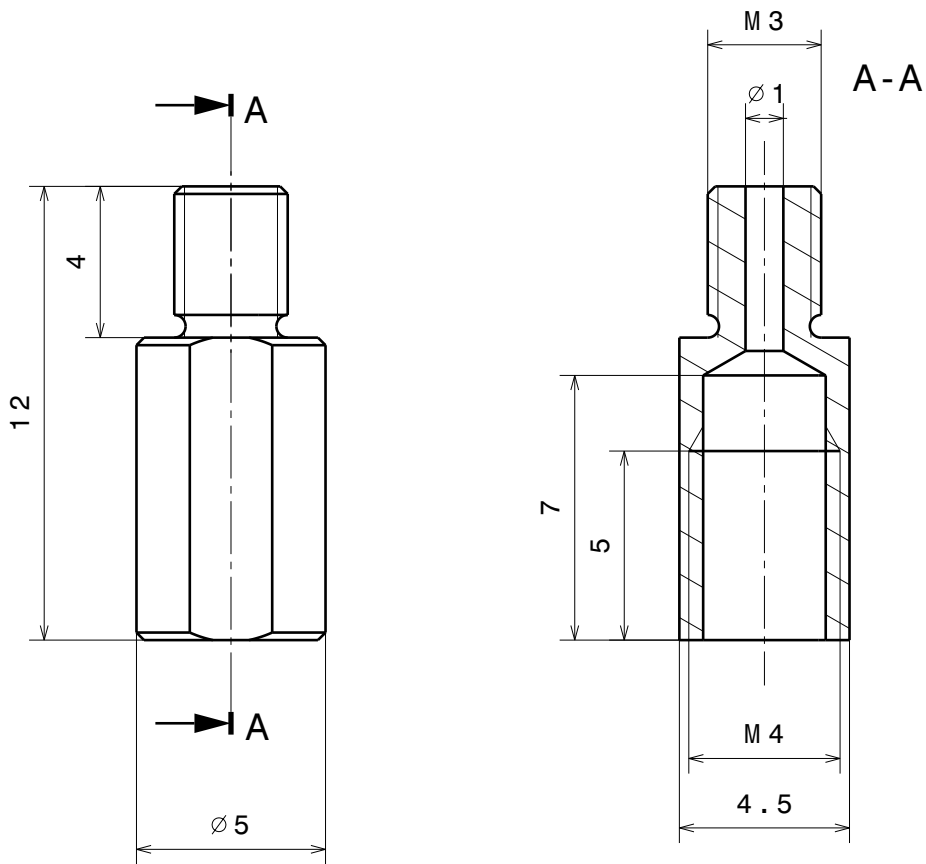


Description	Part Code
Adapter M-WM40 with D=5mm shaft from M3 to M4 internal thread	M-ADWMS5(M4I)
Adapter M-WM40 with D=7mm shaft from M4 to M3 internal thread	M-ADWMS7(M3I)
Adapter M-WM40 with D=7mm shaft from M4 to M6 internal thread	M-ADWMS7(M6I)
PEEK Adapter for M-WM40 end piece D=7mm /L=16mm	M-ADWMS7(70L16PEEK)

Specifications:

Materials

Adapter -Stainless steel 1.4301 / PEEK

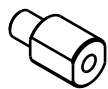
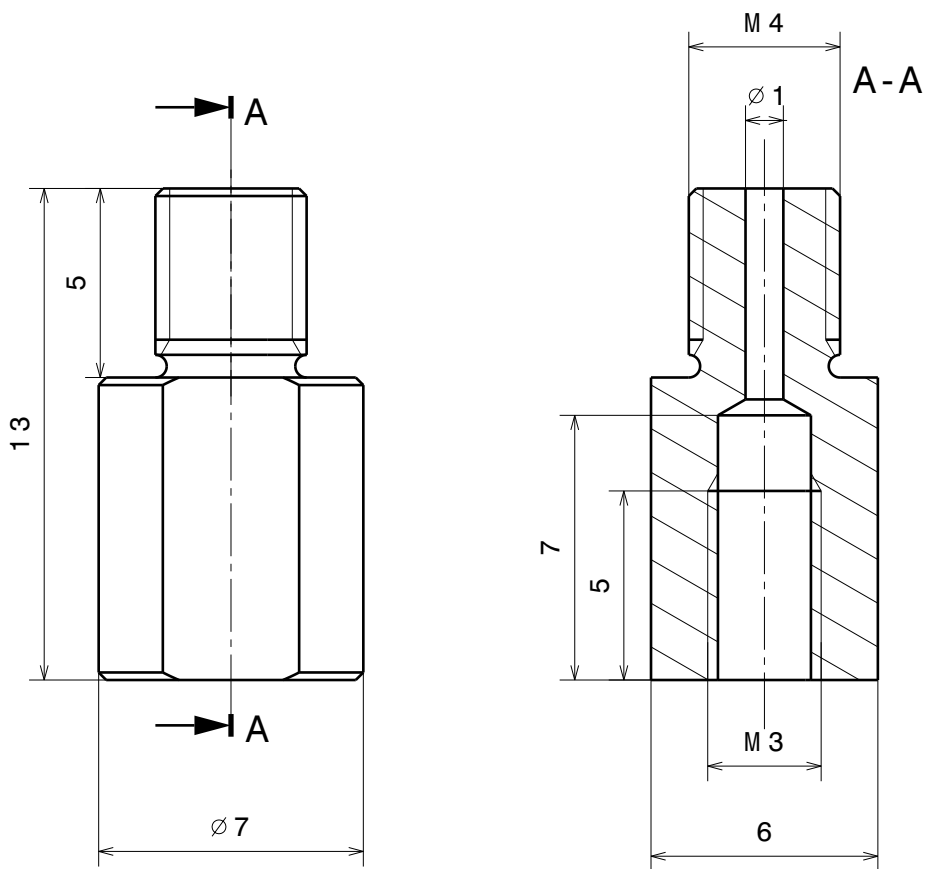


(1:1)

Ra 0.8 (✓)
 $\begin{matrix} +0.2 \\ +0.1 \end{matrix}$
 $\begin{matrix} -0.1 \\ -0.2 \end{matrix}$

general tolerances ISO 2768-K

Material: 1.4301		nominal dimension	over up to	1	6	30	100	300	1000	
Adapter WM40 with D=5mm shaft from M3 to M4 internal thread		tolerance ±		6	30	100	300	1000	2000	
				0.05	0.1	0.3	0.5	0.8	1.2	
AD		Scale		Drawn		Denys Sutter				
Ferrovac GmbH CH-8050 Zurich		THE INFORMATION CONTAINED IN THIS DRAWING IS THE SOLE PROPERTY OF FERROVAC GMBH. ANY REPRODUCTION IN PART OR AS WHOLE WITHOUT OUR PERMISSION IS PROHIBITED.		5:1 (1:1)		Date		28.04.2014		
						Changed			
		Rev. A				ADWMS5 (M4 I) sheet 1/1				



(1:1)

∇ Ra 0.8 (✓) \swarrow $\begin{matrix} +0.2 \\ +0.1 \end{matrix}$ \searrow $\begin{matrix} -0.1 \\ -0.2 \end{matrix}$
 general tolerances ISO 2768-K

Material: 1.4301	nominal dimension	over up to	1	6	30	100	300	1000	
Adapter WM40 with D=7mm shaft from M4 to M3 internal thread	tolerance \pm		6	30	100	300	1000	2000	
			0.05	0.1	0.3	0.5	0.8	1.2	
AD	Scale	Drawn	Denys Sutter						
Ferrovac GmbH CH-8050 Zurich	THE INFORMATION CONTAINED IN THIS DRAWING IS THE SOLE PROPERTY OF FERROVAC GMBH. ANY REPRODUCTION IN PART OR AS WHOLE WITHOUT OUR PERMISSION IS PROHIBITED.	5:1 (1:1)	Date	29.04.2014					
			Changed					
			Rev.	A		ADWMS7 (M3I) sheet 1/1			