

## HYBRID ADAPTERS



LewVac hybrid adapter fittings allow vacuum users to connect two dissimilar vacuum flanges or a vacuum flange to a fitting used in conjunction with vacuum process (Swagelok®, VCR®, BSP). To minimize the effect this transition fitting has on conductance, hybrid adapters are generally designed with the shortest length and with the largest inner diameter possible.

Please note that hybrid adapters are not used to change sizes within one flange family. Fittings used to connect two differently sized flanges from within the same flange family are called reducing nipples. These fittings can be found in the catalogue section for that specific flange family.

**Specifications**

- Vacuum rating:
  - UHV hybrid adapters: CF to Swagelok® or CF to VCR®.
  - HV hybrid adapters: All flanges and fittings that include an elastomer seal.
  - Leak Rating <math>< 1 \times 10^{-9}</math> std. cc/s helium.
- Temperature range:
  - Metal seal flanges and fittings: -200°C up to 450°C.
  - Elastomer seal flanges and fittings: -20°C up to 150°C.
- Materials:
  - Flanges and Fittings: 304 stainless steel as standard.
  - Other materials available on request.
  - Flange seals: see the catalog section for that specific flange for its sealing options.
  - Fitting seals: Copper as standard for CF flanges, Viton® or nitrile as standard for KF & LF flanges. (VCR® seals are not included with the assembly).

**Features**

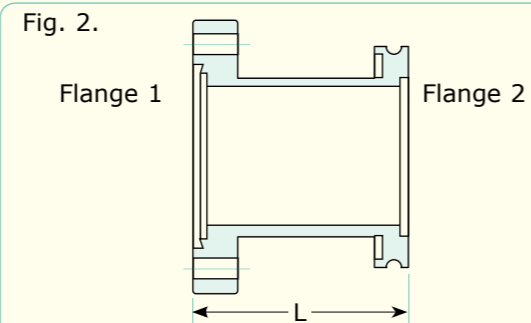
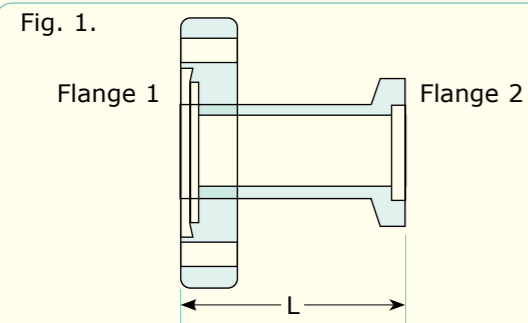
- Adapt from one family of vacuum flanges or fittings to another.
- Allows connection of vacuum flanges to non-vacuum fittings.
- Wide variety of design options to meet your application needs.
- Other fittings available upon request.

## Hybrid Adapters

## CF To KF &amp; LF Straight Adapters



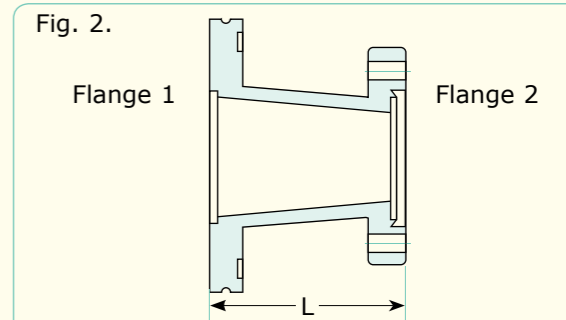
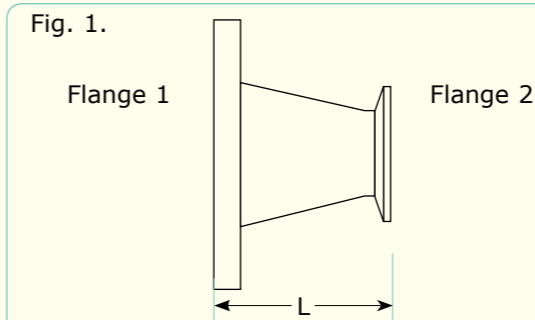
Flange 1	Flange 2	Fig.	Tube OD	L	Part Code	Price £	Price €
DN16CF	DN10KF	1	12.7	43.0	FL-16CF-10KF	£33	€38
DN16CF	DN16KF	1	19.1	43.0	FL-16CF-16KF	£34	€40
DN16CF	DN25KF	1	25.4	43.0	FL-16CF-25KF	£35	€41
DN16CF	DN40KF	1	19.1	41.9	FL-16CF-40KF	£36	€42
DN40CF	DN10KF	1	12.7	45.3	FL-40CF-10KF	£35	€41
DN40CF	DN16KF	1	19.1	45.3	FL-40CF-16KF	£37	€43
DN40CF	DN25KF	1	25.4	45.3	FL-40CF-25KF	£40	€46
DN40CF	DN40KF	1	38.1	45.3	FL-40CF-40KF	£41	€48
DN63CF	DN50KF	1	50.8	49.5	FL-63CF-50KF	£89	€103
DN63CF	DN63LF	2	63.5	90.0	FL-63CF-63LF	£131	€151
DN63CF	DN100LF	2	70.0	90.0	FL-63CF-100LF	£154	€178
DN100CF	DN63LF	2	63.5	90.0	FL-100CF-63LF	£153	€176
DN100CF	DN100LF	2	101.6	90.0	FL-100CF-100LF	£172	€198
DN100CF	DN160LF	2	101.6	90.0	FL-100CF-160LF	£185	€213
DN160CF	DN63LF	2	63.5	90.0	FL-160CF-63LF	£203	€234
DN160CF	DN100LF	2	101.6	90.0	FL-160CF-100LF	£211	€243
DN160CF	DN160LF	2	152.4	90.0	FL-160CF-160LF	£249	€287



## CF To KF &amp; LF Conical Adapters



Flange 1	Flange 2	Fig.	L	Part Code	Price £	Price €
DN16CF	DN25KF	1	51.6	FL-C16CF-25KF	£52	€60
DN16CF	DN40KF	1	77.0	FL-C16CF-40KF	£55	€64
DN40CF	DN16KF	1	69.3	FL-C40CF-16KF	£62	€72
DN40CF	DN25KF	1	69.3	FL-C40CF-25KF	£65	€75
DN40CF	DN50KF	1	69.3	FL-C40CF-50KF	£66	€76
DN40CF	DN63LF	2	72.0	FL-C40CF-63LF	£106	€122
DN40CF	DN80LF	2	102.5	FL-C40CF-80LF	£134	€155
DN63CF	DN40KF	1	73.7	FL-C63CF-40KF	£110	€127
DN63CF	DN50KF	1	73.7	FL-C63CF-50KF	£135	€156
DN63CF	DN80LF	2	108.0	FL-C63CF-80LF	£169	€195
DN63CF	DN100LF	2	108.0	FL-C63CF-100LF	£181	€209
DN100CF	DN50KF	1	106.9	FL-C100CF-50KF	£134	€155
DN100CF	DN63LF	2	109.6	FL-C100CF-63LF	£173	€199
DN100CF	DN80LF	2	109.6	FL-C100CF-80LF	£196	€226



All dimensions are nominal in millimetres unless otherwise specified

All dimensions are nominal in millimetres unless otherwise specified

## Rubber Hose To Flange Adapters - Aluminium



Flange	Fig.	A	B	Part Code	Price £	Price €
DN10KF	1	12.0	40.0	FL-RHA10KF	£10	€12
DN10KF	2	16.0	41.9	FL-RHA10KF-16	£9	€11
DN16KF	1	12.0	40.0	FL-RHA16KF	£10	€12
DN16KF	2	16.0	41.9	FL-RHA16KF-16	£9	€11
DN16KF	2	19.1	41.9	FL-RHA16KF-19	£9	€11
DN25KF	1	12.0	40.0	FL-RHA25KF	£12	€14
DN25KF	2	16.0	41.9	FL-RHA25KF-16	£12	€14
DN25KF	2	22.4	43.9	FL-RHA25KF-22	£11	€13
DN40KF	1	12.0	40.0	FL-RHA40KF	£14	€17
DN40KF	2	41.4	55.1	FL-RHA40KF-41	£14	€17
DN50KF	2	41.4	55.1	FL-RHA50KF-41	£18	€21

## Rubber Hose To Flange Adapters - Stainless Steel

Flange	Fig.	A	B	Part Code	Price £	Price €
DN10KF	1	12.0	40.0	FL-RHA10KF-SS	£11	€13
DN16KF	1	12.0	40.0	FL-RHA16KF-SS	£11	€13
DN25KF	1	12.0	40.0	FL-RHA25KF-SS	£13	€15
DN40KF	1	12.0	40.0	FL-RHA40KF-SS	£16	€19

## PVC Hose To Flange Adapters - Stainless Steel



Flange	Fig.	A	B	C	Part Code	Price £	Price €
DN10KF	3	12.7	32.0	20.1	FL-PHA10KF-12	£12	€14
DN16KF	3	12.7	32.0	20.1	FL-PHA16KF-12	£12	€14
DN16KF	3	19.1	32.0	20.1	FL-PHA16KF-19	£12	€14
DN25KF	3	25.4	38.1	25.9	FL-PHA25KF-25	£16	€19
DN40KF	3	38.1	50.0	38.1	FL-PHA40KF-38	£19	€22
DN50KF	3	50.8	55.1	40.9	FL-PHA50KF-50	£24	€28

Fig. 1.

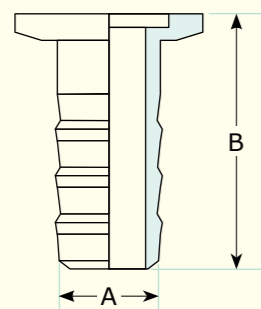


Fig. 2.

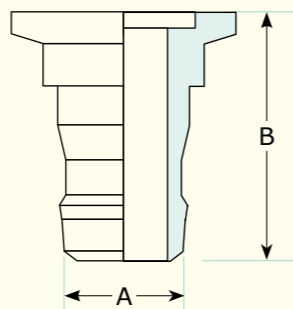
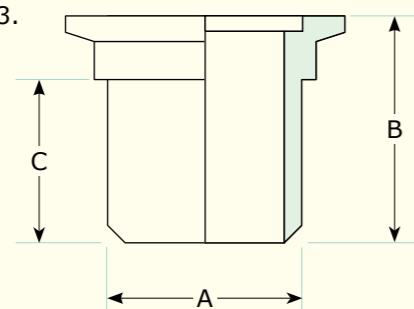


Fig. 3.



All dimensions are nominal in millimetres unless otherwise specified

## Swagelok® To Flange Adapters



- Other sizes also available.
- Multiple fittings can be mounted onto individual flanges if required.

Flange	Swagelok® size	Fig.	A	Part Code	Price £	Price €
DN16CF	1/4 Inch	1	36.0	FL-SWG25-16CF	£50	€58
DN40CF	1/4 Inch	1	36.0	FL-SWG25-40CF	£55	€64
DN16CF	1/2 Inch	1	43.0	FL-SWG50-16CF	£55	€64
DN40CF	1/2 Inch	1	43.0	FL-SWG50-40CF	£59	€68
DN16CF	3/4 Inch	1	52.0	FL-SWG75-16CF	£120	€138
DN40CF	3/4 Inch	1	60.0	FL-SWG75-40CF	£124	€143
DN10KF	1/4 Inch	2	36.6	FL-SWG25-10KF	£38	€44
DN16KF	1/4 Inch	2	36.6	FL-SWG25-16KF	£38	€44
DN25KF	1/4 Inch	2	36.6	FL-SWG25-25KF	£39	€45
DN40KF	1/4 Inch	2	36.6	FL-SWG25-40KF	£41	€48
DN50KF	1/4 Inch	2	36.6	FL-SWG25-50KF	£42	€49
DN16KF	1/2 Inch	2	45.0	FL-SWG50-16KF	£66	€76
DN25KF	1/2 Inch	2	54.3	FL-SWG50-25KF	£69	€80
DN40KF	1/2 Inch	2	54.3	FL-SWG50-40KF	£70	€81
DN50KF	1/2 Inch	2	54.3	FL-SWG50-50KF	£71	€82
DN40KF	3/4 Inch	2	56.0	FL-SWG75-40KF	£118	€136
DN50KF	3/4 Inch	2	56.0	FL-SWG75-50KF	£120	€138
DN40KF	1 Inch	2	59.0	FL-SWG100-40KF	£196	€226
DN50KF	1 Inch	2	59.0	FL-SWG100-50KF	£198	€228
DN16CF	6mm	1	34.0	FL-SWG6M-16CF	£50	€58
DN40CF	6mm	1	36.0	FL-SWG6M-40CF	£55	€64
DN16CF	8mm	1	40.0	FL-SWG8M-16CF	£56	€65
DN40CF	8mm	1	40.0	FL-SWG8M-40CF	£62	€72
DN16CF	10mm	1	45.0	FL-SWG10M-16CF	£60	€69
DN40CF	10mm	1	45.0	FL-SWG10M-40CF	£63	€73
DN16CF	12mm	1	47.0	FL-SWG12M-16CF	£72	€83
DN40CF	12mm	1	47.0	FL-SWG12M-40CF	£79	€91
DN16KF	6mm	2	35.3	FL-SWG6M-16KF	£41	€48
DN25KF	6mm	2	35.3	FL-SWG6M-25KF	£42	€49
DN40KF	6mm	2	35.3	FL-SWG6M-40KF	£43	€50
DN16KF	8mm	2	42.0	FL-SWG8M-16KF	£47	€55
DN25KF	8mm	2	42.0	FL-SWG8M-25KF	£48	€56
DN40KF	8mm	2	42.0	FL-SWG8M-40KF	£46	€53
DN16KF	10mm	2	42.0	FL-SWG10M-16KF	£52	€60
DN25KF	10mm	2	42.0	FL-SWG10M-25KF	£53	€61
DN40KF	10mm	2	42.07	FL-SWG10M-40KF	£55	€64
DN16KF	12mm	2	45.0	FL-SWG12M-16KF	£67	€78
DN25KF	12mm	2	45.0	FL-SWG12M-25KF	£68	€79
DN40KF	12mm	2	45.0	FL-SWG12M-40KF	£70	€81

Fig. 1.

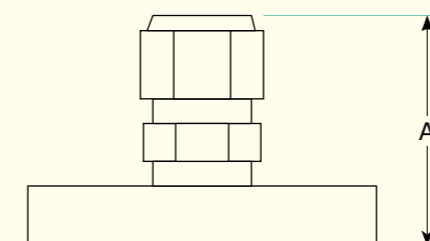
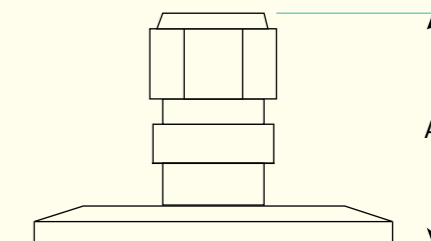


Fig. 2.



All dimensions are nominal in millimetres unless otherwise specified

## VCR® Adapters

## VCR® Male To Flange Adapters



Flange	VCR® size	Fig.	A	Part Code	Price £	Price €
DN16CF	1/4 Inch	1	35.0	FL-VCR25-16CF	£50	€58
DN40CF	1/4 Inch	1	38.0	FL-VCR25-40CF	£55	€64
DN16CF	1/2 Inch	1	39.0	FL-VCR50-16CF	£69	€80
DN40CF	1/2 Inch	1	39.0	FL-VCR50-40CF	£66	€76
DN16CF	3/4 Inch	1	52.0	FL-VCR75-16CF	£87	€101
DN40CF	3/4 Inch	2	58.0	FL-VCR75-40CF	£106	€122
DN16KF	1/4 Inch	2	34.5	FL-VCR25-16KF	£41	€48
DN25KF	1/4 Inch	2	34.5	FL-VCR25-25KF	£46	€53
DN40KF	1/4 Inch	2	34.5	FL-VCR25-40KF	£46	€53
DN50KF	1/4 Inch	2	34.5	FL-VCR25-50KF	£50	€58
DN25KF	1/2 Inch	2	39.4	FL-VCR50-25KF	£52	€60
DN40KF	1/2 Inch	2	39.4	FL-VCR50-40KF	£55	€64
DN50KF	1/2 Inch	2	39.4	FL-VCR50-50KF	£57	€66
DN40KF	3/4 Inch	2	54.6	FL-VCR75-40KF	£81	€94
DN50KF	3/4 Inch	2	54.6	FL-VCR75-50KF	£84	€97
DN40KF	1 Inch	2	60.2	FL-VCR100-40KF	£101	€117
DN50KF	1 Inch	2	60.2	FL-VCR100-50KF	£106	€122

## VCR® Female To Flange Adapters



Flange	VCR® size	Fig.	A	Part Code	Price £	Price €
DN16CF	1/4 Inch	3	35.0	FL-VCRF25-16CF	£50	€58
DN40CF	1/4 Inch	3	38.0	FL-VCRF25-40CF	£55	€64
DN16CF	1/2 Inch	3	39.0	FL-VCRF50-16CF	£55	€64
DN40CF	1/2 Inch	3	39.0	FL-VCRF50-40CF	£59	€68
DN16CF	3/4 Inch	3	52.0	FL-VCRF75-16CF	£87	€101
DN40CF	3/4 Inch	3	58.0	FL-VCRF75-40CF	£106	€122
DN16KF	1/4 Inch	4	34.5	FL-VCRF25-16KF	£41	€48
DN25KF	1/4 Inch	4	34.5	FL-VCRF25-25KF	£46	€53
DN40KF	1/4 Inch	4	34.5	FL-VCRF25-40KF	£46	€53
DN50KF	1/4 Inch	4	34.5	FL-VCRF25-50KF	£57	€66
DN25KF	1/2 Inch	4	39.4	FL-VCRF50-25KF	£52	€60
DN40KF	1/2 Inch	4	39.4	FL-VCRF50-40KF	£55	€64
DN50KF	1/2 Inch	4	39.4	FL-VCRF50-50KF	£57	€66
DN40KF	3/4 Inch	4	54.6	FL-VCRF75-40KF	£81	€94
DN50KF	3/4 Inch	4	54.6	FL-VCRF75-50KF	£84	€97
DN40KF	1 Inch	4	60.2	FL-VCRF100-40KF	£101	€117
DN50KF	1 Inch	4	60.2	FL-VCRF100-50KF	£106	€122

Fig. 1.

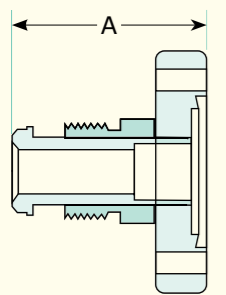


Fig. 2.

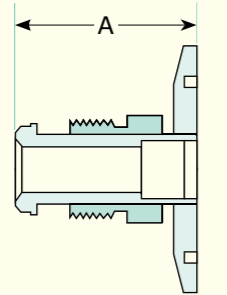


Fig. 3.

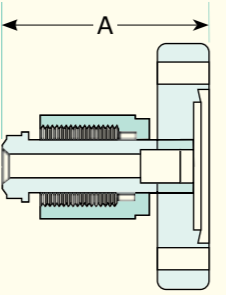
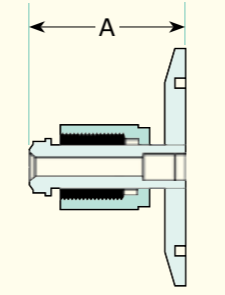


Fig. 4.



All dimensions are nominal in millimetres unless otherwise specified

## BSP Male To Flange Adapters



Tapered BSP threads are used as standard. Non-tapered BSP threads available upon request.

Flange	BSP size	Fig.	A	Part Code	Price £	Price €
DN10KF	1/8 Inch	1	35	FL-10KF-1/8BSPM	£26	€30
DN16KF	1/8 Inch	1	35	FL-16KF-1/8BSPM	£26	€30
DN25KF	1/8 Inch	1	35	FL-25KF-1/8BSPM	£27	€32
DN40KF	1/8 Inch	1	35	FL-40KF-1/8BSPM	£35	€41
DN50KF	1/8 Inch	1	35	FL-50KF-1/8BSPM	£38	€44
DN10KF	1/4 Inch	1	35	FL-10KF-1/4BSPM	£26	€30
DN16KF	1/4 Inch	1	35	FL-16KF-1/4BSPM	£26	€30
DN25KF	1/4 Inch	1	35	FL-25KF-1/4BSPM	£28	€33
DN40KF	1/4 Inch	1	35	FL-40KF-1/4BSPM	£35	€41
DN50KF	1/4 Inch	1	35	FL-50KF-1/4BSPM	£39	€45
DN25KF	1/2 Inch	1	40	FL-25KF-1/2BSPM	£26	€30
DN25KF	1 Inch	1	40	FL-25KF-1BSPM	£26	€30
DN40KF	1/2 Inch	1	40	FL-40KF-1/2BSPM	£36	€42
DN50KF	1/2 Inch	1	40	FL-50KF-1/2BSPM	£43	€50
DN25KF	3/4 Inch	1	40	FL-25KF-3/4BSPM	£33	€38
DN40KF	3/4 Inch	1	40	FL-40KF-3/4BSPM	£37	€43
DN50KF	3/4 Inch	1	40	FL-50KF-3/4BSPM	£44	€51
DN40KF	1 Inch	1	45	FL-40KF-1BSPM	£40	€46
DN50KF	1 Inch	1	45	FL-50KF-1BSPM	£44	€51

## BSP Female To Flange Adapters



Tapered BSP threads are used as standard. Non-tapered BSP threads available upon request.

Flange	BSP size	Fig.	A	Part Code	Price £	Price €
DN10KF	1/8 Inch	2	35	FL-10KF-1/8BSPF	£29	€34
DN16KF	1/8 Inch	2	35	FL-16KF-1/8BSPF	£25	€29
DN25KF	1/8 Inch	2	35	FL-25KF-1/8BSPF	£28	€33
DN40KF	1/8 Inch	2	35	FL-40KF-1/8BSPF	£35	€41
DN50KF	1/8 Inch	2	35	FL-50KF-1/8BSPF	£38	€44
DN10KF	1/4 Inch	2	35	FL-10KF-1/4BSPF	£29	€34
DN16KF	1/4 Inch	2	35	FL-16KF-1/4BSPF	£25	€29
DN25KF	1/4 Inch	2	35	FL-25KF-1/4BSPF	£28	€33
DN40KF	1/4 Inch	2	35	FL-40KF-1/4BSPF	£35	€41
DN50KF	1/4 Inch	2	35	FL-50KF-1/4BSPF	£39	€45
DN25KF	1/2 Inch	2	40	FL-25KF-1/2BSPF	£30	€35
DN40KF	1/2 Inch	2	40	FL-40KF-1/2BSPF	£36	€42
DN50KF	1/2 Inch	2	40	FL-50KF-1/2BSPF	£43	€50
DN25KF	3/4 Inch	2	40	FL-25KF-3/4BSPF	£30	€35
DN40KF	3/4 Inch	2	40	FL-40KF-3/4BSPF	£37	€43
DN50KF	3/4 Inch	2	40	FL-50KF-3/4BSPF	£44	€51
DN40KF	1 Inch	2	45	FL-40KF-1BSPF	£42	€49
DN50KF	1 Inch	2	45	FL-50KF-1BSPF	£44	€51

Fig. 1.

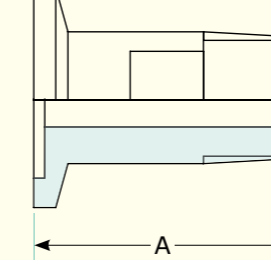
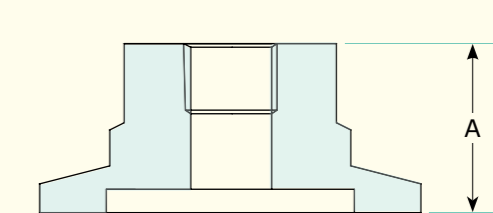


Fig. 2.



All dimensions are nominal in millimetres unless otherwise specified

## Quick Connect Tube Adapters



## Specifications:

## Material

Adapter 304 St.St.

O-ring Nitrile

## Temperature Range

Using Nitrile o-rings -20°C to 80°C

Replacement O rings and blanking plugs are available, please contact sales office for details.

## Features:

- Quick assembly and removal.
- Simple attachment of metal or glass tubes to vacuum system.
- Quick component interchange.
- 304 stainless steel as standard.
- Other flange and tube sizes available on request.
- Viton® O-rings available on request.
- Spare seals and blanking plugs available

Fig. 1.

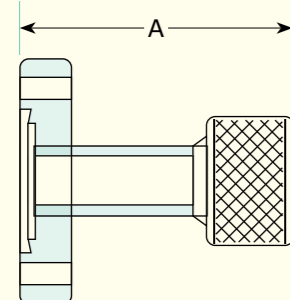
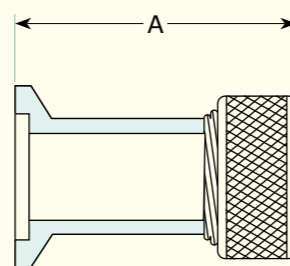


Fig. 2.



All dimensions are nominal in millimetres unless otherwise specified

## Quick Connect to CF Adapter



Flange	For Tube OD	Fig.	A	Part Code	Price £	Price €
DN16CF	1.6 (1/16")	1	33.3	FL-QC2-16CF	£77	€89
DN40CF	1.6 (1/16")	1	33.3	FL-QC2-40CF	£89	€103
DN16CF	3.2 (1/8")	1	33.3	FL-QC3-16CF	£73	€84
DN40CF	3.2 (1/8")	1	33.3	FL-QC3-40CF	£76	€88
DN16CF	4.8 (3/16")	1	33.3	FL-QC5-16CF	£73	€84
DN40CF	4.8 (3/16")	1	33.3	FL-QC5-40CF	£76	€88
DN16CF	6.4 (1/4")	1	33.3	FL-QC6-16CF	£73	€84
DN40CF	6.4 (1/4")	1	33.3	FL-QC6-40CF	£77	€89
DN16CF	7.9 (5/16")	1	33.3	FL-QC8-16CF	£73	€84
DN40CF	7.9 (5/16")	1	33.3	FL-QC8-40CF	£77	€89
DN16CF	9.5 (3/8")	1	33.3	FL-QC10-16CF	£73	€84
DN40CF	9.5 (3/8")	1	33.3	FL-QC10-40CF	£77	€89
DN16CF	12.7 (1/2")	1	34.9	FL-QC13-16CF	£76	€88
DN40CF	12.7 (1/2")	1	34.9	FL-QC13-40CF	£80	€92
DN16CF	15.9 (5/8")	1	42.5	FL-QC16-16CF	£80	€92
DN40CF	15.9 (5/8")	1	38.1	FL-QC16-40CF	£85	€98
DN40CF	19.1 (3/4")	1	41.3	FL-QC19-40CF	£85	€98
DN40CF	22.2 (7/8")	1	47.6	FL-QC22-40CF	£89	€103
DN40CF	25.4 (1")	1	50.8	FL-QC25-40CF	£93	€107
DN40CF	28.6 (1 1/8")	1	50.8	FL-QC29-40CF	£105	€121
DN40CF	31.8 (1 1/4")	1	63.5	FL-QC32-40CF	£113	€130
DN40CF	34.9 (1 3/8")	1	58.7	FL-QC35-40CF	£125	€144
DN40CF	38.1 (1 1/2")	1	63.5	FL-QC38-40CF	£133	€153

## Quick Connect to KF Adapter



Flange	For Tube OD	Fig.	A	Part Code	Price £	Price €
DN16KF	6.4 (1/4")	2	33.4	FL-QC6-16KF	£37	€43
DN10KF	12.7 (1/2")	2	38.1	FL-QC13-10KF	£42	€49
DN16KF	12.7 (1/2")	2	36.5	FL-QC13-16KF	£42	€49
DN25KF	12.7 (1/2")	2	36.5	FL-QC13-25KF	£45	€52
DN40KF	12.7 (1/2")	2	36.5	FL-QC13-40KF	£48	€56
DN50KF	12.7 (1/2")	2	38.1	FL-QC13-50KF	£54	€63
DN25KF	15.9 (5/8")	2	43.2	FL-QC16-25KF	£45	€52
DN16KF	19.1 (3/4")*	2	44.5	FL-QC19-16KF	£47	€55
DN25KF	19.1 (3/4")	2	44.5	FL-QC19-25KF	£47	€55
DN40KF	19.1 (3/4")	2	44.5	FL-QC19-40KF	£50	€58
DN50KF	19.1 (3/4")	2	45.7	FL-QC19-50KF	£68	€79
DN25KF	25.4 (1")	2	50.8	FL-QC25-25KF	£56	€65
DN40KF	25.4 (1")	2	50.8	FL-QC25-40KF	£74	€86
DN50KF	25.4 (1")	2	50.8	FL-QC25-50KF	£76	€88
DN25KF	28.6 (1 1/8")	2	50.8	FL-QC29-25KF	£61	€71
DN40KF	28.6 (1 1/8")	2	50.8	FL-QC29-40KF	£76	€88
DN50KF	28.6 (1 1/8")	2	50.8	FL-QC29-50KF	£86	€99
DN40KF	31.8 (1 1/4")	2	50.8	FL-QC32-40KF	£95	€110
DN40KF	34.9 (1 3/8")	2	53.3	FL-QC35-40KF	£102	€118
DN40KF	38.1 (1 1/2")	2	60.3	FL-QC38-40KF	£111	€128
DN50KF	38.1 (1 1/2")	2	61.0	FL-QC38-50KF	£120	€138
DN50KF	50.8 (2")	2	60.3	FL-QC51-50KF	£130	€150

The above quick connect adapters have a clear through bore and allow a tube to pass all of the way through the assembly. (Except \*)

All dimensions are nominal in millimetres unless otherwise specified

## Quick Connect Tube Adapters



## Features:

- Quick assembly and removal.
- Simple attachment of metal or glass tubes to vacuum system.
- Quick component interchange.
- 304 stainless steel as standard.
- Other flange and tube sizes available on request.
- Viton® O-rings available on request.
- Spare seals and blanking plugs available

## Specifications:

## Material

Adapter 304 St.St.

O-ring Nitrile

## Temperature Range

Using Nitrile o-rings -20°C to 80°C

Replacement O rings and blanking plugs are available, please contact sales office for details.

## Quick Connect to 1" Base Plate



For Tube OD	Fig.	A	B	Part Code	Price £	Price €
3.2 (1/8")	1	72.9	66.5	FL-QC3-BP	£169	€195
6.4 (1/4")	1	72.9	66.5	FL-QC6-BP	£169	€195
9.5 (3/8")	1	72.9	66.5	FL-QC9-BP	£169	€195
12.7 (1/2")	1	72.9	66.5	FL-QC13-BP	£169	€195
15.9 (5/8")	1	72.9	66.5	FL-QC15-BP	POA	POA
19.1 (3/4")	1	72.9	66.5	FL-QC19-BP	£169	€195
25.4 (1")	1	91.9	78.2	FL-QC25-BP	POA	POA

## Quick Connect to Weldable



For Tube OD	Fig.	A	B	C	D	E	Part Code	Price £	€0 Price €
1.6 (1/16")	2	33.3	15.9	9.5	1.8	12.7	FL-QC2-W	£26	€30
3.2 (1/8")	2	33.3	15.9	9.5	3.5	12.7	FL-QC3-W	£26	€30
4.8 (3/16")	2	33.3	15.9	9.5	5.1	15.9	FL-QC5-W	£26	€30
6.4 (1/4")	2	33.3	15.9	9.5	6.7	15.9	FL-QC6-W	£27	€32
7.9 (5/16")	2	33.3	15.9	12.7	8.3	22.2	FL-QC8-W	£26	€30
9.5 (3/8")	2	33.3	15.9	12.7	9.9	22.2	FL-QC10-W	£29	€34
12.7 (1/2")	2	33.3	15.9	15.9	13.1	22.2	FL-QC13-W	£31	€36
15.9 (5/8")	2	38.1	19.1	19.3	16.3	30.2	FL-QC16-W	£33	€38
19.1 (3/4")	2	41.3	19.1	22.2	19.4	34.9	FL-QC19-W	£34	€40
22.2 (7/8")	2	41.3	19.1	25.4	22.6	34.9	FL-QC22-W	£39	€45
25.4 (1")	2	47.6	19.1	28.6	25.8	41.3	FL-QC25-W	£44	€51
28.6 (1 1/8")	2	47.6	19.1	31.8	29.0	47.6	FL-QC29-W	£56	€65
31.8 (1 1/4")	2	50.8	19.1	38.1	32.1	47.6	FL-QC32-W	£68	€79
34.9 (1 3/8")	2	54.0	22.2	41.3	35.3	50.8	FL-QC35-W	£93	€107
38.1 (1 1/2")	2	57.2	22.2	44.5	38.5	57.2	FL-QC38-W	£104	€120
41.3 (1 5/8")	2	57.2	22.2	47.6	41.7	60.3	FL-QC41-W	£112	€129
50.8 (2")	2	57.2	22.2	57.2	51.2	69.9	FL-QC51-W	£123	€142

Fig. 1.

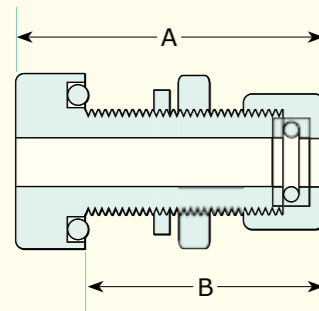
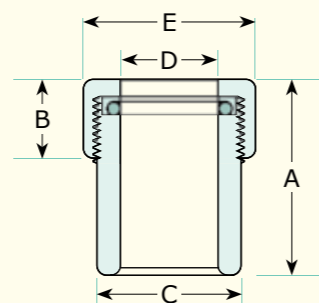


Fig. 2.



The above quick connect adapters have a clear through bore and allow a tube to pass all of the way through the assembly.

All dimensions are nominal in millimetres unless otherwise specified

All dimensions are nominal in millimetres unless otherwise specified

